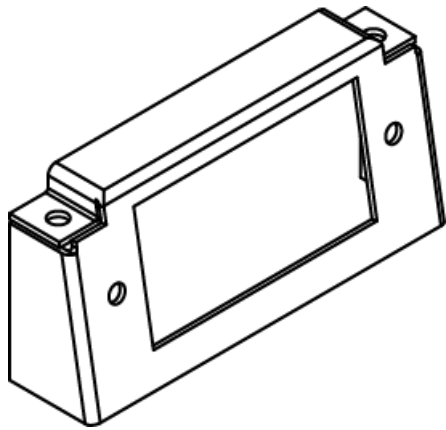




Wiremold
RFB4 Series Internal GFI Bracket
Part No. RFB-GFI



Accepts standard GFCI or Decorator Style Receptacles, Communication or Audio/Video Devices. NOTE: For RFB4 Series Floor Box end compartment only. For use on tile, terrazzo, carpet, or wood covered floors. Additional configurations available. Please consult your local Sales Representative for more information.

Features & Benefits

Accepts standard GFCI or Decorator Style Receptacles, Communication or Audio/Video Devices. NOTE: For RFB4 Series Floor Box end compartment only. For use on tile, terrazzo, carpet, or wood covered floors. Additional configurations available. Please consult your local Sales Representative for more information.

Specifications

General Info

Product Line	Wiremold	UPC Number	786564994060
Country Of Origin	United States	Construction	Unassembled
Application Sector	Commercial	Standard	cULus Listed Metallic Outlet Boxes: File E2961 Guide QCIT Meets Article 314.27(C) of NEC.
Type	Floor Box		

Listing Agencies / 3rd Party Agencies

cULus ListingNumber	E2961	cULus Listed	Yes
---------------------	-------	--------------	-----

Additional Information

RoHS Conformant	Yes
-----------------	-----