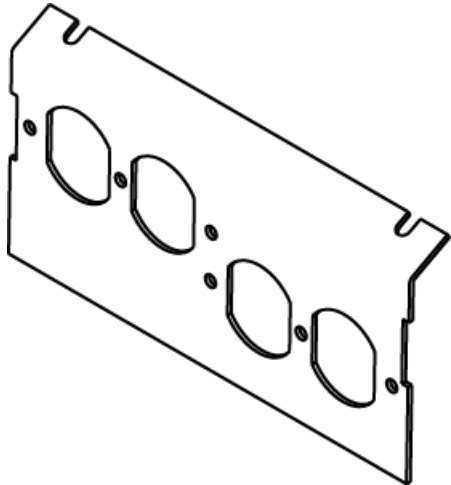




Wiremold
AC Series Power Plate
Part No. P8104-2DP



Two (2) duplex KOs. One (1) plate supplied with AC8104 Box. NOTE: AC8840 is a single-service box. Power plates cannot be used in conjunction with communication plates.

Features & Benefits

Two (2) duplex KOs. One (1) plate supplied with AC8104 Box. NOTE: AC8840 is a single-service box. Power plates cannot be used in conjunction with communication plates.

Specifications

General Info

Product Line	Wiremold	UPC Number	786564524120
Country Of Origin	United States	Construction	Assembled
Application Sector	Commercial	Standard	UL Listed Classified Raised Floor Box: File E2961 Guide QCIT, UL Listed Classified Raised Floor Box (prewired): File E51105 Guide QQVX, Meets Article 314 of NEC. Meets Article 12 2500 of CEC.
Type	Floor Box		

Listing Agencies / 3rd Party Agencies

cULus ListingNumber	E2961	cULus Listed	Yes
---------------------	-------	--------------	-----

Buy American Act Compliance

NAFTA	Yes
-------	-----

Additional Information

RoHS Conformant Yes

Technical Information

Cable Entry Through Floor Number of Outlets 4
