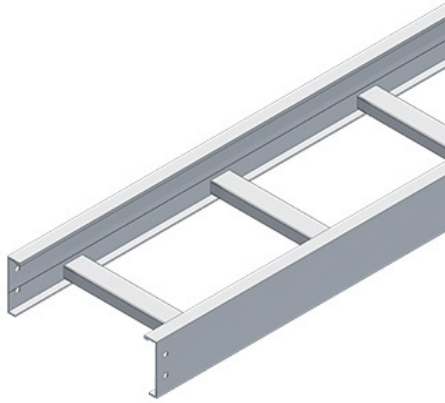




**Cablofil**  
**6" Steel Straight Sections**  
Part No. P642594



Choose from an extensive selection of metallic ladder tray with a variety of rung and bottom styles to choose from. Rail heights range from 4" to 7" and width sizes are available up to 36".

## Features & Benefits

Material: Commercial Quality Steel / ASTM A-1008 / A-1011

Finish: Ho-dip Galvanized after Fabrication / ASTM A-123

Bottom: Ldr: 1" wide + rung SC: Solid Corrugated VC: Vented Corrugated

Construction: Welded

Tray Design: Tray construction and markings are per the latest edition of NEMA Standards Publication VE1, CSA C22.2 No. 126

Tray Grounding Capability: Classified as an equipment grounding conductor per NEC 392.60

## Specifications

### General Info

Product Line	Cablofil	Finish	Custom Painted
--------------	----------	--------	----------------

### Dimensions

Product Weight US	48.66 lb
-------------------	----------