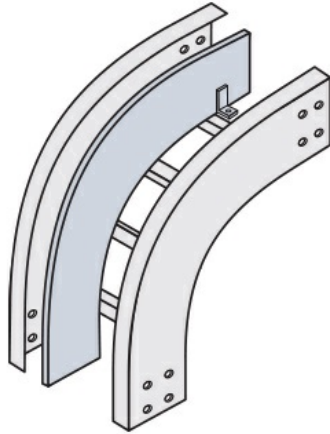




Cablofil
Vertical Fitting Divider
Part No. P641378



For extremely corrosive applications we offer a full line of straight sections, fittings, covers and mounting accessories in polyester and vinylester fiberglass. Rail heights are available in 4" and 6" and widths are available up to 36".

Features & Benefits

Polyester resin Fiberglass standard

Specifications

General Info

Product Line	Cablofil	Finish	Other
UPC Number	800388530645	Country Of Origin	United States

Dimensions

Product Width US	0.625 in	Product Weight US	1.157 lb
Product Volume US	0.141 cu ft	Product Depth US	19.75 in
Product Height US	19.75 in		

Buy American Act Compliance

BAA	Yes
-----	-----