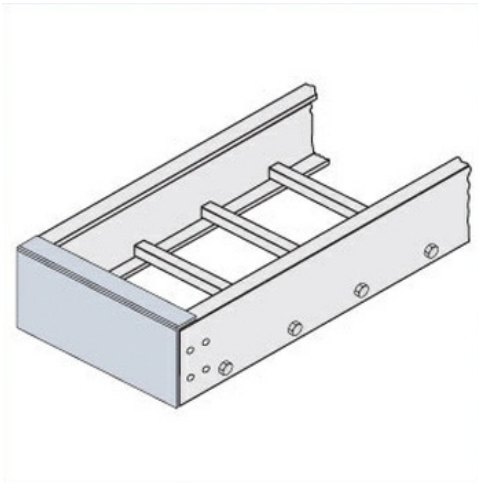




Cablofil
Blind End Plate
Part No. P604027



For extremely corrosive applications we offer a full line of straight sections, fittings, covers and mounting accessories in polyester and vinylester fiberglass. Rail heights are available in 4" and 6" and widths are available up to 36".

Features & Benefits

Polyester resin Fiberglass standard

Specifications

General Info

Product Line	Cablofil	Finish	Other
UPC Number	800388526655	Country Of Origin	United States

Dimensions

Product Width US	12.0 in	Product Weight US	0.787 lb
Product Volume US	0.057 cu ft	Product Depth US	2.0 in
Product Height US	4.125 in		

Buy American Act Compliance

BAA	Yes
-----	-----