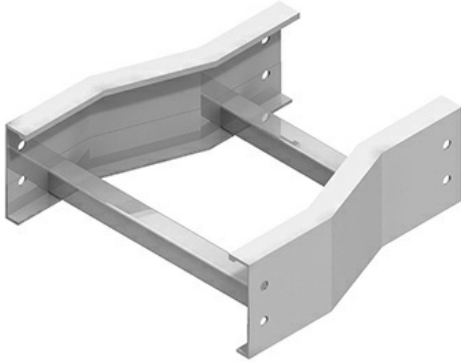




Cablofil
SB-4A-SR09-06 AL 4H STR REDUCER 09/06W
Part No. P320854



The aluminum I-beam design of ITray is perfect for industrial installations with large diameter cables in long span situations, minimizing total tray width and creating a smooth transition between straight sections and fittings. A structural offset in the sidewall creates strong, mid-span splices that need fewer supports. Each splice snaps in place and stays without holding. Additionally, only four bolts are needed for each splice reducing hardware needs by 50%. These features allow Itray to be installed up to 30% faster than standard tray.

Features & Benefits

Material: Aluminum Alloy 6063

Bottom: LD: 1" wide rung

Connectors: All fittings are supplied with

Finish: Plain

Construction: Welded

Fitting heights (H): 4, 5, 6, 7

Specifications

General Info

| | | | |
|--------------|--------------|--------|----------|
| Product Line | Cablofil | Finish | Aluminum |
| UPC Number | 800388108578 | | |

Dimensions

| | | | |
|-------------------|-------------|-------------------|----------|
| Product Width US | 11.5 in | Product Weight US | 3.522 lb |
| Product Volume US | 0.508 cu ft | Product Depth US | 18.0 in |
| Product Height US | 4.241 in | | |