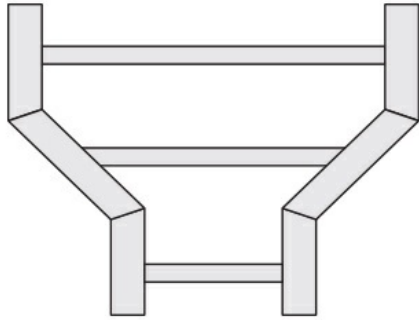




Cablofil
Horizontal Reducing Cross
Part No. P302708



Choose from an extensive selection of metallic ladder tray with a variety of rung and bottom styles to choose from. Finishes include steel, 304L and 316L stainless steel to meet the needs of any application. Rail heights range from 4" to 7" and width sizes are available up to 36".

Features & Benefits

Includes splices and hardware

Specifications

General Info

Product Line	Cablofil	Finish	AL
UPC Number	800388085749	Country Of Origin	Mexico

Dimensions

Product Width US	114.0 in	Product Weight US	40.309 lb
Product Volume US	28.539 cu ft	Product Depth US	102.0 in
Product Height US	4.241 in		

Buy American Act Compliance

BAA	Yes
-----	-----