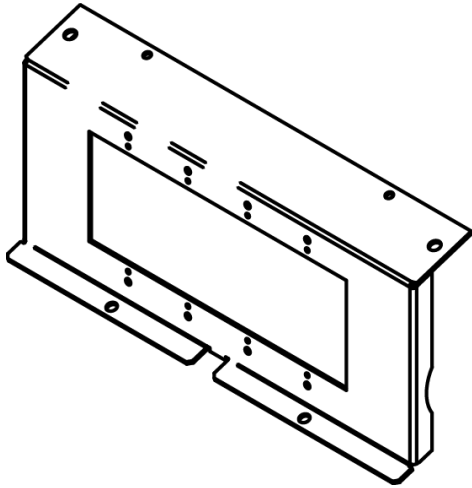




Wiremold
EFB8 Evolution Series Mounting Bracket
Part No. EFB8-4GMB



Holds a standard 4-gang device plate. Device plate dimensions: 8 1/8" x 4 1/4" (206mm x 116mm).

Features & Benefits

Holds a standard 4-gang device plate. Device plate dimensions: 8 1/8" x 4 1/4" (206mm x 116mm).

Specifications

General Info

Product Line	Wiremold	UPC Number	786776183566
Country Of Origin	United States	Construction	Unassembled
Application Sector	Commercial	Standard	cULus Listed Metallic Outlet Boxes: File E2961 Guide QCIT Meets Article 314.27(C) of NEC.
Type	Floor Box		

Listing Agencies / 3rd Party Agencies

cULus ListingNumber	E2961	cULus Listed	Yes
---------------------	-------	--------------	-----

Buy American Act Compliance

NAFTA	Yes
-------	-----

Additional Information

RoHS Conformant	Yes
-----------------	-----