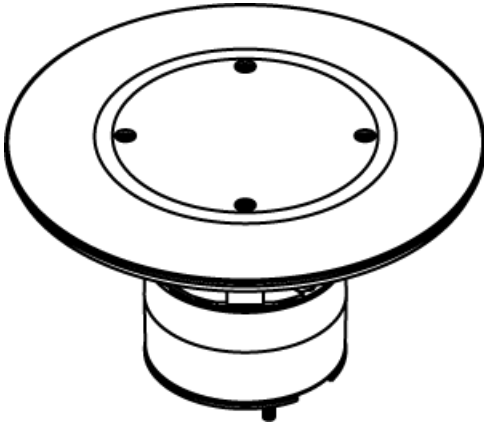




Wiremold
Abandonment Plug Assembly for 3" cored hole
Part No. ABPLUG3



Complete plug assembly for abandoning an open 3" (76mm) diameter hole. Assembly includes intumescent fire-stop material to maintain the fire-classification of the floor, integral retainer ring to prevent the unit from pulling up through the floor, and a black die-cast aluminum cover.

Features & Benefits

Complete plug assembly for abandoning an open 3" (76mm) diameter hole. Assembly includes intumescent fire-stop material to maintain the fire-classification of the floor, integral retainer ring to prevent the unit from pulling up through the floor, and a black die-cast aluminum cover.

Specifications

General Info

Product Line	Wiremold	UPC Number	786564029274
Country Of Origin	Mexico	Construction	Assembled
Application Sector	Commercial	Standard	cULus Listed Metallic Outlet Boxes: File E2961 Guide QCIT, cULus Listed Nonmetallic Outlet Boxes & Fittings Classified for Fire Resistance: File R8209 Guide CEYY Meets Article 300.21 300.22[C] & 314 of NEC
Type	Poke-Thru		

Dimensions

Product Width US	7.0 in	Product Height US	3.188 in
------------------	--------	-------------------	----------

Buy American Act Compliance

NAFTA	Yes
-------	-----

Additional Information

RoHS Conformant

Yes
