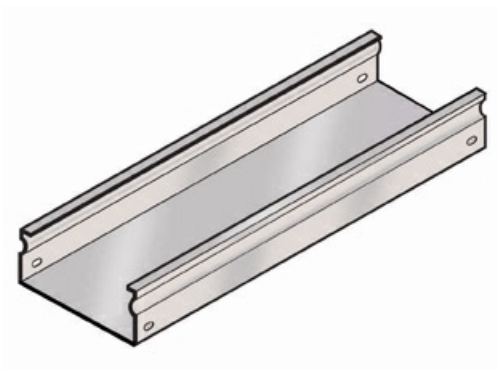




Cablofil  
TROUGH - BLACK (4D,4W,120L)  
Part No. 960004



Cablofil Fiber Trough utilizes high strength steel components to provide the strength and durability required to manage fiber cabling requirements in the most demanding data center environments.

## Features & Benefits

Strong corrosion resistant steel construction.

Rolled Edge: for cable protection.

Unique Design: allows cover to snap on.

18 gage steel (t).

## Specifications

### General Info

Product Line	Cablofil	Finish	Custom Painted
UPC Number	800388242012	Country Of Origin	Italy

### Dimensions

Product Width US	3.9 in	Product Weight US	11.7 lb
Product Volume US	1.035 cu ft	Product Depth US	117.6 in
Product Height US	3.9 in		

### Buy American Act Compliance

BAA	Yes
-----	-----