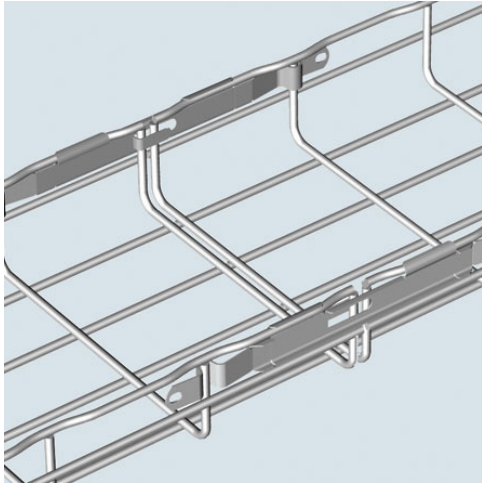




Cablofil
EDRN MOUNTING TOOL (1D,,1W,,10L) [943408]
Part No. 943408



Cablofil Wiremesh Cable Tray concept based upon performance, safety and economy — three qualities which make Cablofil Wiremesh Cable Tray system preferred by installers. Cablofil adapts to the most complex configurations, and its structure gives maximum strength for minimum weight. The ease of creating fittings, carried out on site, as well as the wide range of unique and universal accessories gives complete freedom in routing combined with exceptionally fast installation.

Features & Benefits

Additional mounting tool for use with EDRN splice. 7/16 hex in handle doubles as a SWK wrench.

Specifications

General Info

Product Line	Cablofil	Finish	Custom Painted
UPC Number	800388018570	Country Of Origin	China
Type	Splicing		

Dimensions

Product Width US	0.71 in	Product Weight US	0.2 lb
Product Volume US	0.004 cu ft	Product Depth US	8.07 in
Product Height US	1.33 in		

Additional Information

RoHS Conformant	Yes
-----------------	-----