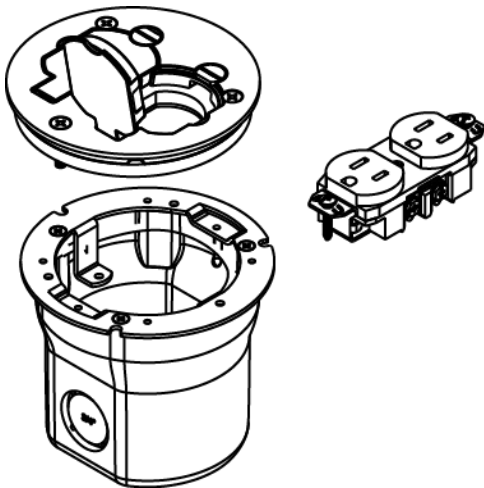




Wiremold
862DB Series PVC Floor Box Assembly for Wood or Concrete Floors
Part No. 862DB



Includes 862 Series Floor Box, one 15A, 125V tamper-resistant brown duplex receptacle, and one 895T brass duplex receptacle cover for tile. Order 862KIT when using in concrete floor.

Features & Benefits

Includes 862 Series Floor Box, one 15A, 125V tamper-resistant brown duplex receptacle, and one 895T brass duplex receptacle cover for tile. Order 862KIT when using in concrete floor.

Specifications

General Info

Product Line	Wiremold	UPC Number	786564032588
Country Of Origin	Mexico	Construction	Not Assembled
Application Sector	Commercial	Standard	cULus Listed Nonmetallic Outlet Boxes: File E110748 Guide QCMZ. Meets Article 314.27(C) of NEC.
Type	Floor Box		

Dimensions

Product Width US	4.25 in	Product Depth US	4.25 in
Product Height US	4.0 in		

Listing Agencies / 3rd Party Agencies

cULus ListingNumber	E110748	cULus Listed	Yes
---------------------	---------	--------------	-----

Buy American Act Compliance

NAFTA

Yes

Additional Information

RoHS Conformant

Yes

Technical Information

Cable Entry

Through Floor

Number of Outlets 2
